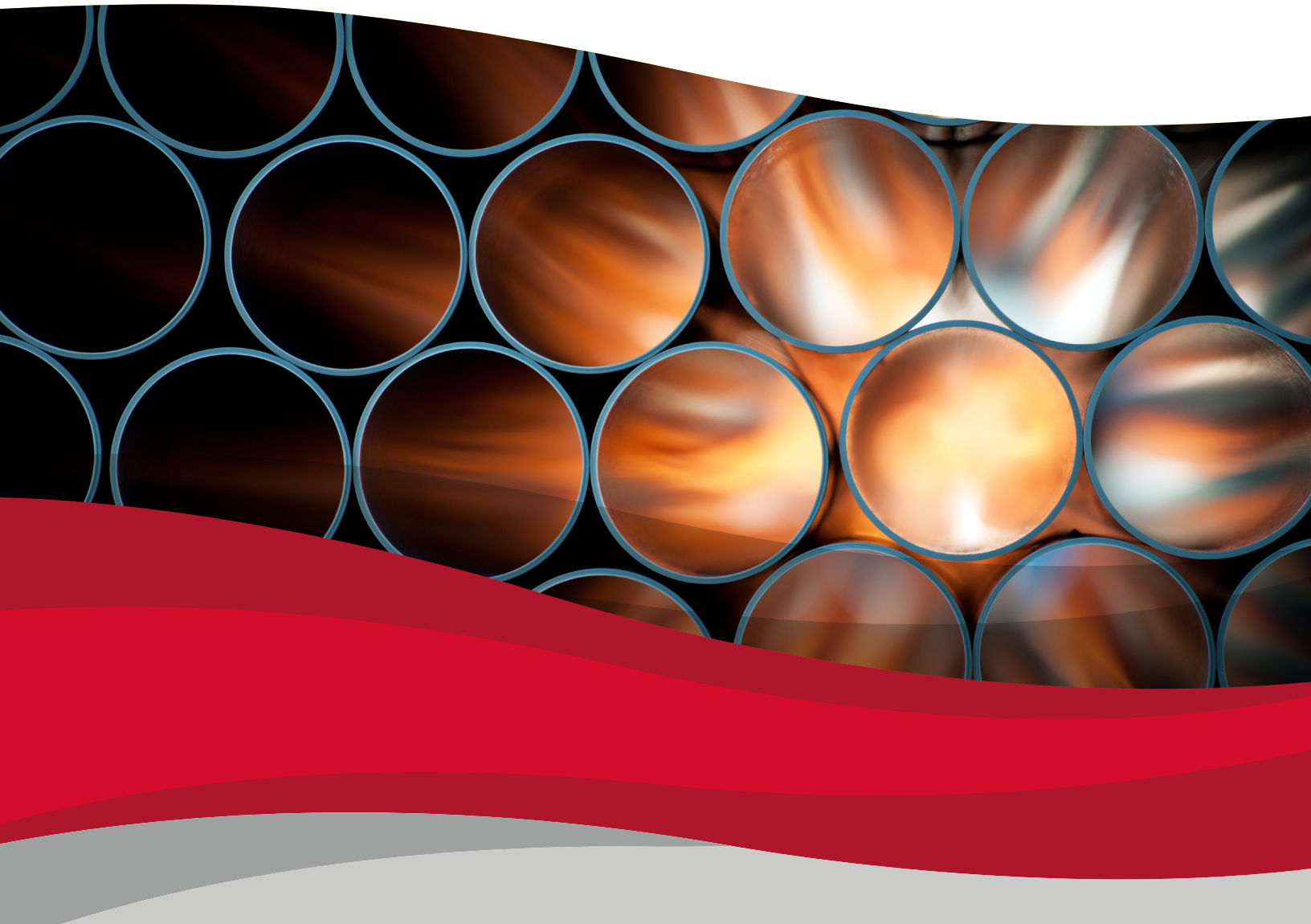


**Gardner**  
**Denver**

DOWNSTREAM AIR STORAGE TANKS | 30-5,000 GALLONS

# XGTK Series



# X Series: NeXt-Generation Gardner Denver Air Treatment



## X SERIES DOWNSTREAM AIR STORAGE TANKS

With on-time delivery being an important goal for our X Series tank offering, we want to be sure you are getting your vessels when you need them. With over forty standard air receiver designs in inventory and ready to ship, we will be ready when you need us. Non-stock standard designs will have a four-week lead time. If those two options do not work for you, you can order a custom, made-to-order, design. These custom designs, depending upon specifications, usually ship within 5-7 weeks.

### Quality & Design Codes/Standards

We are an ISO 9001 certified manufacturer, committed to the highest quality standards. We offer specialized testing, on-site inspection coordination and detailed documentation to ensure quality product each and every time. Although ASME Code is the most common code we build to, we have extensive experience working with the following codes and standards as well:

- ASME Section VIII Div 1 (U Stamp)
- ASME Section VIII Div 2 (U2 Stamp)
- ABS
- Algerian
- AS1210
- CRN
- CE/PED
- DOSH
- DNV
- GOST/TRCU
- Hazardous Material Regulations (DOT)
- Lloyds
- MHWL
- MOM
- NR13
- SELO
- USCG



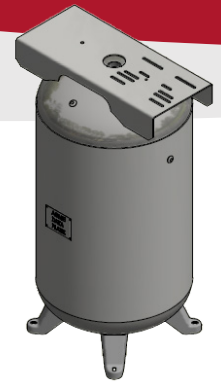
Vertical Air Receiver  
with Feet



Vertical Air Receiver  
with Base



Vertical Air Receiver  
with Top Plate & Base

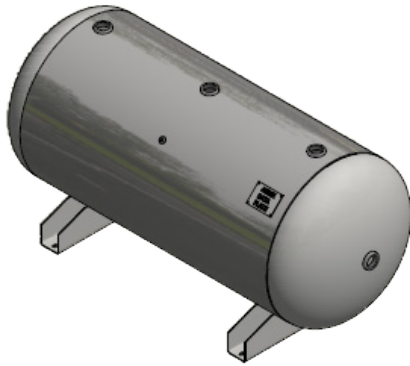


Vertical Air Receiver  
with Top Plate & Feet

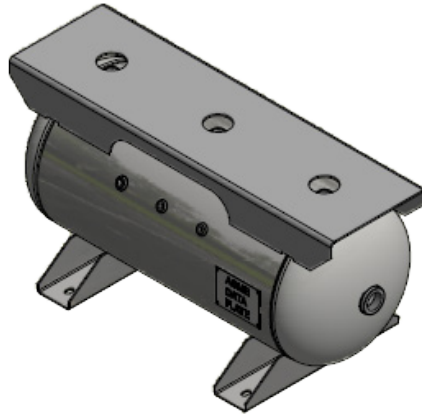
## VERTICAL TANKS

| PART NUMBER    | CAPACITY<br>GALLON | PRESSURE<br>PSIG | LENGTH<br>INCHES | DIAMETER<br>INCHES | WEIGHT<br>LBS | PLATFORM | PLATE<br>TYPE |
|----------------|--------------------|------------------|------------------|--------------------|---------------|----------|---------------|
| XGTK30-VF200   | 30                 | 200              | 38               | 16                 | 79            | Feet     |               |
| XGTK30-VFT200  | 30                 | 200              | 38               | 16                 | 99            | Feet     | Top Plate     |
| XGTK60-VF200   | 60                 | 200              | 48               | 20                 | 151           | Feet     |               |
| XGTK60-VFT200  | 60                 | 200              | 48               | 20                 | 173           | Feet     | Top Plate     |
| XGTK80-VB200   | 80                 | 200              | 63               | 20                 | 225           | Base     |               |
| XGTK80-VFT200  | 80                 | 200              | 45               | 24                 | 269           | Feet     | Top Plate     |
| XGTK120-VB200  | 120                | 200              | 67               | 24                 | 275           | Base     |               |
| XGTK120-VBT200 | 120                | 200              | 50               | 30                 | 432           | Base     | Top Plate     |
| XGTK200-VB200  | 200                | 200              | 72               | 30                 | 505           | Base     |               |
| XGTK240-VB200  | 240                | 200              | 84               | 30                 | 643           | Base     |               |
| XGTK400-VB165  | 400                | 165              | 93               | 36                 | 717           | Base     |               |
| XGTK400-VB200  | 400                | 200              | 93               | 36                 | 858           | Base     |               |
| XGTK500-VB165  | 500                | 165              | 117              | 36                 | 1100          | Base     |               |
| XGTK500-VB200  | 500                | 200              | 117              | 36                 | 1135          | Base     |               |
| XGTK660-VB150  | 660                | 150              | 120              | 42                 | 1391          | Base     |               |
| XGTK660-VB200  | 660                | 200              | 120              | 42                 | 1461          | Base     |               |
| XGTK1060-VB155 | 1060               | 155              | 144              | 48                 | 1921          | Base     |               |
| XGTK1060-VB200 | 1060               | 200              | 144              | 48                 | 2705          | Base     |               |
| XGTK1550-VB165 | 1550               | 165              | 166              | 54                 | 3037          | Base     |               |
| XGTK1550-VB200 | 1550               | 200              | 166              | 54                 | 3900          | Base     |               |
| XGTK2000-VB150 | 2000               | 150              | 174              | 60                 | 3503          | Base     |               |
| XGTK2560-VB150 | 2560               | 150              | 220              | 60                 | 4314          | Base     |               |
| XGTK3000-VB137 | 3000               | 137              | 214              | 66                 | 4703          | Base     |               |
| XGTK3000-VB150 | 3000               | 150              | 214              | 66                 | 5200          | Base     |               |
| XGTK3800-VB150 | 3800               | 150              | 228              | 72                 | 6520          | Base     |               |
| XGTK5000-VB150 | 5000               | 150              | 305              | 72                 | 8576          | Base     |               |

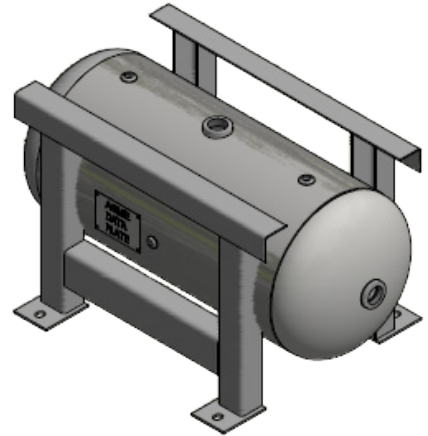
Horizontal Air Receiver  
with Saddle Platform



Horizontal Air Receiver  
with Saddle Platform &  
Extended Top Plate



Horizontal Air Receiver  
with Grasshopper Legs





## HORIZONTAL TANKS

| PART NUMBER     | CAPACITY<br>GALLON | PRESSURE<br>PSIG | LENGTH<br>INCHES | DIAMETER<br>INCHES | WEIGHT<br>LBS | PLATFORM    | PLATE TYPE         |
|-----------------|--------------------|------------------|------------------|--------------------|---------------|-------------|--------------------|
| XGTK12-HF200    | 12                 | 200              | 27               | 12                 | 34            | Feet        |                    |
| XGTK12-HFT200   | 12                 | 200              | 27               | 12                 | 43            | Feet        | Top Plate          |
| XGTK20-HF200    | 20                 | 200              | 33               | 14                 | 54            | Feet        |                    |
| XGTK20-HFT200   | 20                 | 200              | 33               | 14                 | 63            | Feet        | Top Plate          |
| XGTK30-HS200    | 30                 | 200              | 38               | 16                 | 79            | Saddle      |                    |
| XGTK30-HST200   | 30                 | 200              | 38               | 16                 | 99            | Saddle      | Top Plate          |
| XGTK30-HSTT200  | 30                 | 200              | 38               | 16                 | 132           | Saddle      | Extended Top Plate |
| XGTK30-HFT200   | 30                 | 200              | 38               | 16                 | 147           | Feet        | Top Plate          |
| XGTK30-HG200    | 30                 | 200              | 38               | 16                 | 141           | Grasshopper |                    |
| XGTK60-HST200   | 60                 | 200              | 48               | 20                 | 196           | Saddle      | Top Plate          |
| XGTK60-HS200    | 60                 | 200              | 48               | 20                 | 162           | Saddle      |                    |
| XGTK60-HSTT200  | 60                 | 200              | 48               | 20                 | 246           | Saddle      | Extended Top Plate |
| XGTK60-HG200    | 60                 | 200              | 48               | 20                 | 271           | Grasshopper |                    |
| XGTK80-HS200    | 80                 | 200              | 63               | 20                 | 220           | Saddle      |                    |
| XGTK80-HST200   | 80                 | 200              | 63               | 20                 | 248           | Saddle      | Top Plate          |
| XGTK80-HSTT200  | 80                 | 200              | 63               | 20                 | 322           | Saddle      | Extended Top Plate |
| XGTK80-HG200    | 80                 | 200              | 63               | 20                 | 304           | Grasshopper |                    |
| XGTK120-HS200   | 120                | 200              | 67               | 24                 | 316           | Saddle      |                    |
| XGTK120-HST200  | 120                | 200              | 67               | 24                 | 383           | Saddle      | Top Plate          |
| XGTK120-HSTT200 | 120                | 200              | 67               | 24                 | 437           | Saddle      | Extended Top Plate |
| XGTK120-HG200   | 120                | 200              | 67               | 24                 | 420           | Grasshopper |                    |
| XGTK200-HS200   | 200                | 200              | 72               | 30                 | 565           | Saddle      |                    |
| XGTK200-HST200  | 200                | 200              | 72               | 30                 | 570           | Saddle      | Top Plate          |
| XGTK200-HSTT200 | 200                | 200              | 72               | 30                 | 684           | Saddle      | Extended Top Plate |
| XGTK200-HG200   | 200                | 200              | 72               | 30                 | 704           | Grasshopper |                    |
| XGTK240-HS200   | 240                | 200              | 84               | 30                 | 638           | Saddle      |                    |
| XGTK240-HST200  | 240                | 200              | 84               | 30                 | 622           | Saddle      | Top Plate          |
| XGTK240-HSTT200 | 240                | 200              | 84               | 30                 | 837           | Saddle      | Extended Top Plate |
| XGTK240-HG200   | 240                | 200              | 84               | 30                 | 759           | Grasshopper |                    |
| XGTK400-HS165   | 400                | 165              | 93               | 36                 | 696           | Saddle      |                    |
| XGTK400-HS200   | 400                | 200              | 93               | 36                 | 1064          | Saddle      |                    |
| XGTK500-HS165   | 500                | 165              | 117              | 36                 | 944           | Saddle      |                    |
| XGTK500-HS200   | 500                | 200              | 117              | 36                 | 1300          | Saddle      |                    |
| XGTK600-HS150   | 600                | 150              | 120              | 42                 | 1400          | Saddle      |                    |
| XGTK1060-HS155  | 1060               | 155              | 144              | 48                 | 1966          | Saddle      |                    |
| XGTK1060-HS200  | 1060               | 200              | 144              | 48                 | 2390          | Saddle      |                    |
| XGTK1550-HS165  | 1550               | 165              | 166              | 54                 | 3020          | Saddle      |                    |
| XGTK2000-HS150  | 2000               | 150              | 174              | 60                 | 3516          | Saddle      |                    |
| XGTK2560-HS150  | 2560               | 150              | 220              | 60                 | 4301          | Saddle      |                    |

## Variety of Finish Options

The following optional coatings can be added to any vessel.

- Exterior Powder (Standard colors: gray, white, and black, with other colors available upon request)
- Exterior Epoxy (Epoxy with semi-gloss polyurethane finish. Standard colors: gray, white, and black, with other colors available upon request)
- Interior Powder
- Interior Epoxy
- NSF & FDA Interior Coatings

## Accessorize Any Vessel

- Safety Relief Device
- Pressure Gauge
- Drain
- Kit: Includes Safety Relief Device & Pressure Gauge





## Can't Find What You're Looking For?

No problem! We can build a custom vessel to meet your specific needs. We have a wide range of expertise with engineered-to-order vessel designs. We've manufactured anything from custom air receivers to hyperbaric chambers. The possibilities are endless: 4" to 192" diameter, full vacuum to 3,000 PSI, and materials of construction including: carbon steel, stainless steel, and high alloys.

Below is a sampling of what we've done:

- Air Receivers
- DOT Shipping Containers
- Separators
- Accumulators
- Heater Treaters
- Knock-Out Drums/Flare Drums
- Pulsation Bottles
- Scrubbers
- Dryers
- Filter Housings
- Fluid Storage Tanks
- Air Brake Tanks
- B31.3 Process Piping
- Absorbers
- Blowdown Tanks
- Buffer Tanks
- Storage Tanks
- Vapor Recovery Tanks
- Coalescers
- Slug Catchers
- Oil Field Tanks
- Hyperbaric Chambers

The leader in every market we serve  
by continuously improving all business processes  
with a focus on innovation and velocity

**Gardner**  

---

**Denver**<sup>®</sup>

**Gardner Denver, Inc.**

1800 Gardner Expressway  
Quincy, IL 62305  
[www.gardnerdenver.com](http://www.gardnerdenver.com)



©2021 Gardner Denver, Inc. Printed in U.S.A.  
GA-XGTK-TANKS 1st Ed. 10/21

